

# 917 Isolierkörper

**7-polig, Stift**  
**Isolierkörper Code 3**  
**Anschlussbereich bis 1,0 mm<sup>2</sup>**

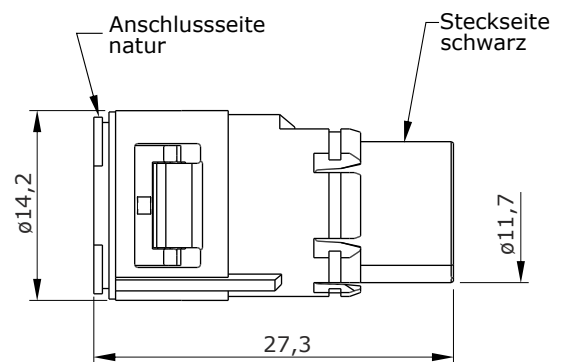
**TE Teile Nr.: 40-0863-000-000**  
**IC Ref. Nr.: 40.863.00**

## Technische Daten

Polzahl 7 (6+PE)

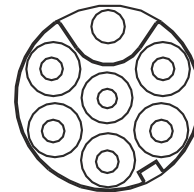
## Werkstoffe

Isolierkörper PBT, UL 94/ V0

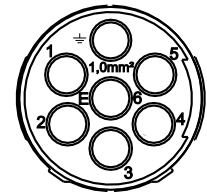


## Hauptabmessungen

Isolierkörper



**Polbild**  
Ansicht steckseitig



**Polbild**  
Ansicht anschlussseitig





# 917 Insulation Insert

**7-pin, Pin  
Insulation Insert Code 3  
Connection Cross-Section up to 1.0 mm<sup>2</sup>**

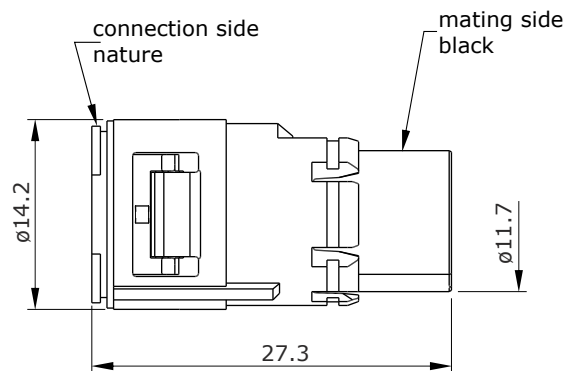
**TE part number: 40-0863-000-000  
IC reference number: 40.863.00**

**Technical Data**

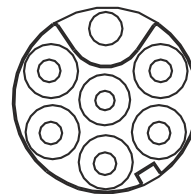
number of pins 7 (6+PE)

**Material**

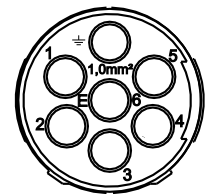
insulation insert PBT, UL 94/ V0



**Main Dimensions**  
insulation insert



**Contact Arrangement**  
mating view



**Contact Arrangement**  
connection view

Y6-B746-000-0EN issued: 02.05.2006/TS; geändert: 1.1.02.2020/MK

© 2020 TE Connectivity

TE Connectivity, TE connectivity (logo), intercontec (logo) and speedtec are trademarks.

While TE Connectivity (TE) has made every reasonable effort to ensure the accuracy of the information in this presentation, TE does not guarantee that it is error-free, nor does TE make any other representation, warranty or guarantee that the information is accurate, correct, reliable or current. TE reserves the right to make any adjustments to the information contained herein at any time without notice. TE expressly disclaims all implied warranties regarding the information contained herein, including, but not limited to, any implied warranties of merchantability or fitness for a particular purpose. The dimensions in this article are for reference purposes only and are subject to change without notice. Specifications are subject to change without notice. Consult TE for the latest dimensions and design specifications.

TE Connectivity Industrial GmbH  
Bernrieder Straße 15  
94559 Niederwinkling, Germany  
+49 9962 2002 - 0  
[intercontec@te.com](mailto:intercontec@te.com)  
[www.intercontec.biz](http://www.intercontec.biz)

